

Add versatility to your Audio-Technica UniPoint microphones with the following replacement elements. Different pickup patterns are now attainable with the same high-quality UniPoint design via interchangeable elements.

These elements are screw-on replacements for all AT851, AT853, AT857, AT871 and AT873R UniPoint models.

AT853H - ELE

The hypercardioid element (the standard supplied with the AT873R microphone) increases directionality to 100° to provide better gain-before-feedback and reduction of background noise.

AT853C - ELE

The cardioid element is the standard supplied with the AT851, AT853, AT857 and AT871 microphones. It features a 120° frontal pickup area.

AT853SC - ELE

Subcardioid element allows a wider 170° frontal working area than a standard cardioid.

AT853O - ELE

Omnidirectional element allows operation in all directions with a 360° pickup pattern.

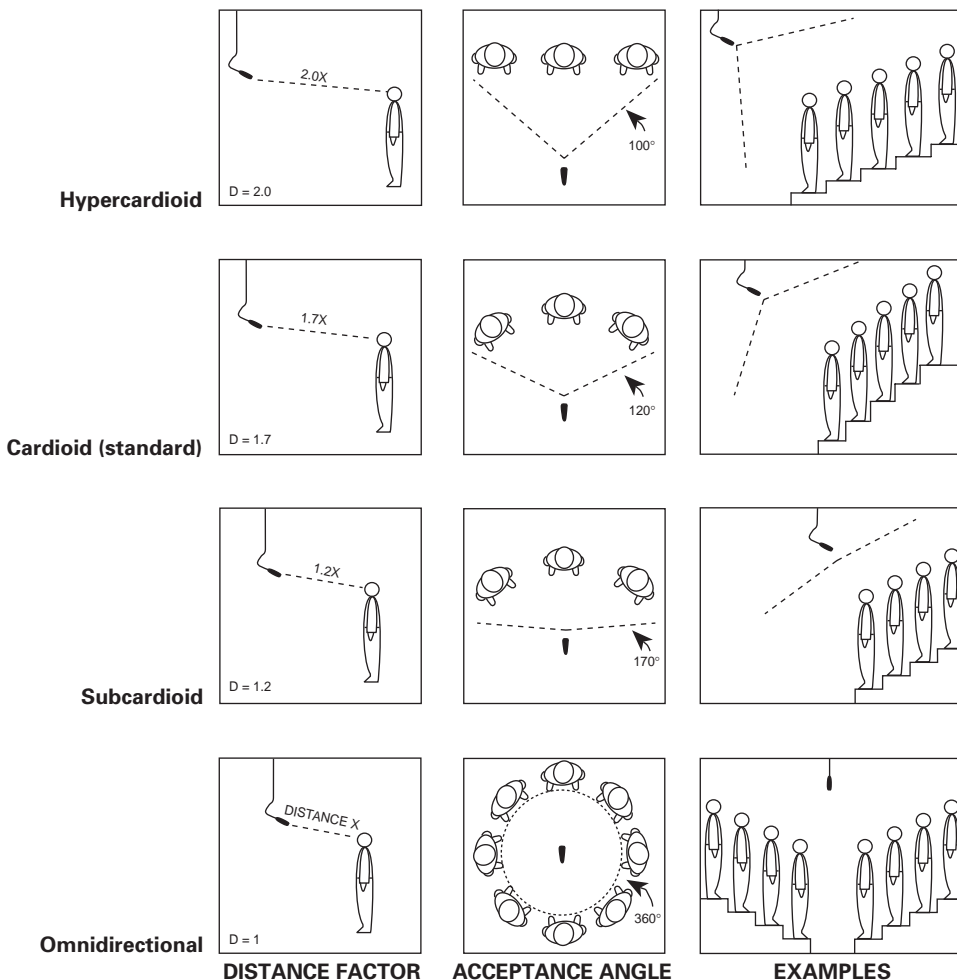
Different combinations of the elements can be used to obtain the desired results.

The illustrations below show the differing properties of the four pickup pattern types.

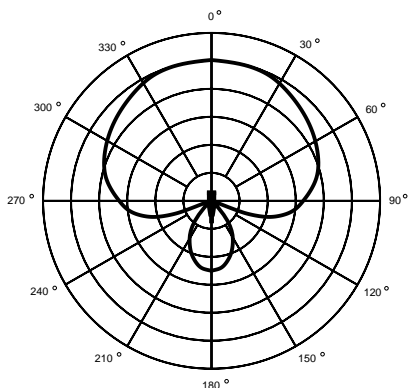
The distance factor, D, indicates the additional pickup range available with directional elements. The distance factor is the increase in working distance that produces the same signal-to-noise ratio as an omnidirectional element under the same ambient conditions. For example, the s/n ratio of a cardioid at 17 feet would be comparable to that of an omnidirectional at 10 feet.

The acceptance angle indicates the pickup width at which the sensitivity of the microphone has dropped by 3 dB from the on-axis (front) sensitivity.

AT853H-ELE AT853C-ELE AT853SC-ELE AT853O-ELE INTERCHANGEABLE MICROPHONE ELEMENTS

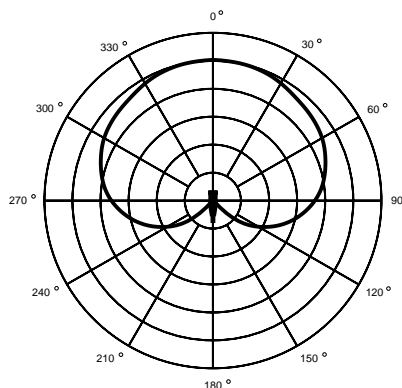


Hypercardioid Polar Pattern



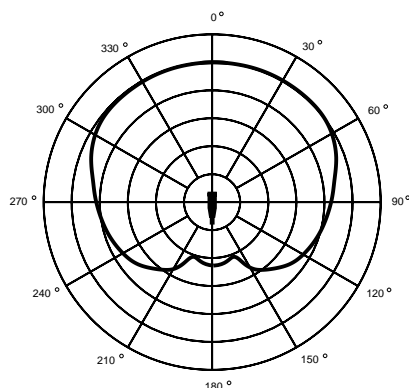
LEGEND
1 kHz

Cardioid Polar Pattern



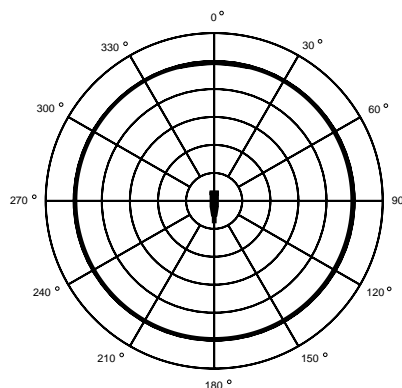
LEGEND
1 kHz

Subcardioid Polar Pattern



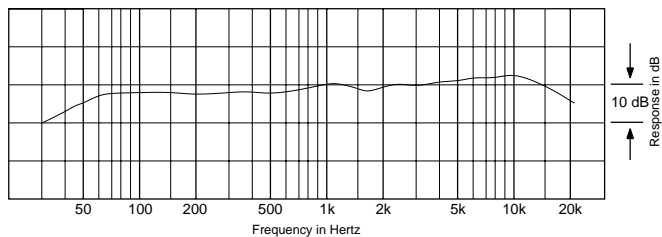
LEGEND
1 kHz

Omnidirectional Polar Pattern



LEGEND
1 kHz

Typical Frequency Response



LEGEND — 12" or more on axis (flat)

One-Year Limited Warranty

Audio-Technica microphones and accessories purchased in the U.S.A. are warranted for one year from date of purchase by Audio-Technica U.S., Inc. (A.T.U.S.) to be free of defects in materials and workmanship. In event of such defect, product will be repaired promptly without charge or, at our option, replaced with a new product of equal or superior value if delivered to A.T.U.S. or an Authorized Service Center, prepaid, together with the sales slip or other proof of purchase date. **Prior approval from A.T.U.S. is required for return.** This warranty excludes defects due to normal wear, abuse, shipping damage, or failure to use product in accordance with instructions. This warranty is void in the event of unauthorized repair or modification.

For return approval and shipping information, contact the Service Department, Audio-Technica U.S., Inc., 1221 Commerce Drive, Stow, Ohio 44224.

Except to the extent precluded by applicable state law, **A.T.U.S. will have no liability for any consequential, incidental, or special damages; any warranty of merchantability or fitness for particular purpose expires when this warranty expires.**

This warranty gives you specific legal rights, and you may have other rights which vary from state to state.

Outside the U.S.A., please contact your local dealer for warranty details.



Audio-Technica U.S., Inc., 1221 Commerce Drive, Stow, Ohio 44224
Audio-Technica Limited, Old Lane, Leeds LS11 8AG England

Form No. 0310-0839-02-B/W ©1996 Audio-Technica U.S., Inc. Printed in U.S.A.